

LEISTER

PROCESS HEAT

IGNITER

The hot-air blower for
installation in pellet and
wood chip boilers



IGNITER

The new IGNITER ignition blower from Leister has been specially developed for installation in pellet and wood chip boilers. The design and perfectly coordinated functionality will not fail to impress. The IGNITER has what it takes. Based on the proven technology of Leister's TRIAC S ECONOMY. The interfaces have been chosen so that it can easily be installed into any furnace.



Advantages



1 Connector plug directly on the device (easy removal and installation, fewer device configurations)



2 Connection adapter for air hose located directly on the device with inner 1" thread (no extra accessories needed)



3 New assembly support for perfect positioning in the furnace



4 Additional pipe joint adapter with M14 thread for easy adaptation of the heat conduction lines and extensions



5 Heating element protection with phototransistor and device protection via temperature protection circuit



IGNITER ignition blower



Clean ignition process through optimum heat level

Technical Data

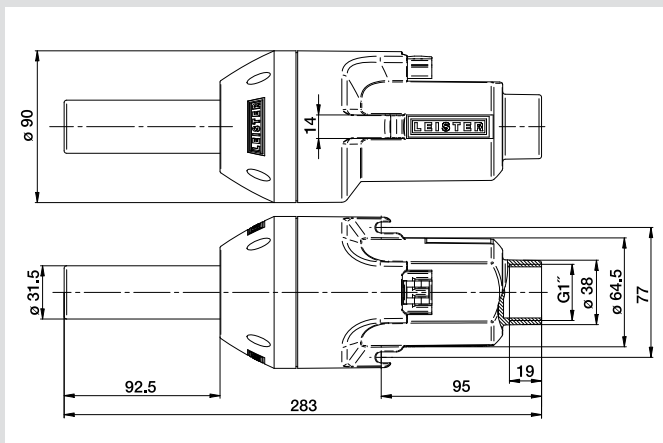
		IGNITER BM4	IGNITER BM4	IGNITER BM4	IGNITER BM4	IGNITER BM4	IGNITER BM4 with M14 screw adapter
Voltage	V	120	120	230	230	230	230
Frequency	Hz	60	60	50	50	50	50
Power rating	W	1100	1550	600	1100	1600	1100
Min. air volume	l/min 20°C	230	230	80	230	230	230
Air pressure	mbar	25	25	3	25	25	25
Max temperature	°C	600	600	500	600	600	600
Emission level	dB (A)	68	68	58	68	68	68
Size	mm	283 x 90 x 90					
Weight	kg	1.0 (without power cable)					
Conformity		CE					
Safety standard		S					
Certification		CCA					
Protection class II		□					
Order number		141.882	141.881	139.232	140.711	139.231	144.012

We reserve the right to make technical changes.
Plug for cable connection and cable are not included

IGNITER accessories

	142.359	Accessory adapter to TRIAC S Economy heating pipe
	142.414	Accessory screw adapter for M14 extensions
	107.286	Air hose ø 38
	107.287	Hose bracket
	136.916	Heating element 230 V ~ 1550 W
	141.002	Heating element 230 V ~ 1050 W
	141.003	Heating element 120 V ~ 550 W
	136.918	Heating element 120 V ~ 1500 W
	141.005	Heating element 120 V ~ 1050 W
	141.006	Heating element 120 V ~ 550 W
	142.967	Power supply cord (Rubber) with WAGO Plug 3 x 1mm ² x 3 m
	143.131	Power supply cord (Silicon) with WAGO Plug 3 x 1mm ² x 3 m
	142.976	Plug with strain relief WAGO „Winsta 770“

Installation dimensions in mm



Installation arrangement



Headquarters:

Leister Process Technologies
Galileo-Strasse 10
CH-6056 Kaegiswil/Switzerland
phone: +41 41 662 74 74
fax: +41 41 662 74 16
leister@leister.com

Leister Technologies LLC
1253 Hamilton Parkway
Itasca, IL 60143/USA
phone: +1 630 760 1000
fax: +1 630 760 1001
sales@leisterusa.com

Leister Technologies Ltd.
Building A, 1588 Zhuanxing Road
Shanghai 201 108 PRC
phone: +86 21 6442 2398
fax: +86 21 6442 2338
leister@leister.cn

Leister Technologies KK
Shinyokohama Bousei Bldg 1F
3-12-20, Shinyokohama, Kohoku-ku,
Yokohama 222-0033
phone: +81 (45) 477 3637
fax: +81 (45) 477 3638
sales-japan@leister.com

Our close worldwide network of more than 120 Sales and Service Centers in more than 90 countries.

Europe:

- | | | | | |
|----------------|---------------|-------------|----------|-------------|
| Austria | Estonia | Hungary | Norway | Slovenia |
| Belgium | Denmark | Ireland | Poland | Spain |
| Bulgaria | Finland | Iceland | Portugal | Sweden |
| Croatia | France | Italy | Romania | Switzerland |
| Cyprus | Germany | Latvia | Russia | Turkey |
| Czech Republic | Great Britain | Lithuania | Serbia | Ukraine |
| | Greece | Netherlands | Slovakia | |

**Leister Technologies GmbH
Aachen, Germany**

**Leister Process Technologies
Headquarters and Manufacturing
Kaegiswil, Switzerland**

**Leister Technologies LLC
Itasca, IL, USA**

America:

- Canada
- Mexico
- USA
- Argentina
- Brazil
- Chile
- Peru

**Leister Technologies KK
Yokohama, Japan**

**Leister Technologies Ltd.
Shanghai, China**

Africa:

- Egypt
- Kenya
- Morocco
- South Africa

Asia:

- P. R. China
- Hong Kong
- India
- Indonesia
- Iran

- Japan
- Korea
- Malaysia
- Philippines
- Saudi Arabia
- Singapore

- United Arab Emirates
- Taiwan
- Thailand
- Vietnam

Oceania:

- Australia
- New Zealand

Distributor Address