

**LEISTER**

PROCESS HEAT

# IGNITER BM4/BR4

The hot-air blowers for  
installation in pellet and  
wood chip boilers

**NEW!**  
IGNITER BR4  
with 3.4 kW



reddot design award  
winner 2013

[www.leister.com](http://www.leister.com)

**We know how.**

# IGNITER BM4 / BR4 – Ignites just about anything

The new IGNITER ignition blower from Leister has been specially developed for installation into pellet and wood chip boilers. The design and perfectly coordinated functionality will not fail to impress. The IGNITER BM4 with 0.6 kW up to 1.6 kW and the new IGNITER BR4 with 3.4 kW have what it takes. The interfaces were selected so that the ignition blowers can be easily installed into any heating boiler. The integrated assembly supports on the sides of the

## Advantages

1		<b>Easy:</b> Connector plug located directly on the device means easy removal and installation and fewer device configurations.
2		<b>Clever:</b> New assembly support for positioning in the furnace.
3		<b>Linked:</b> Connection adapter for air hose located directly on the device with inner 1" thread (no extra accessories needed).
4		<b>Additional:</b> Pipe joint adapter with M14 thread for easy adaptation of the heat conduction lines and extensions (available only for IGNITER BM4).
5		<b>Protected:</b> Heating element protection with phototransistor and device protection via temperature protection circuit.



reddot design award  
winner 2013

**NEW!**



IGNITER BR4



IGNITER BM4



housing. The freely configurable plug connector and the air hose connection adapter with one-inch inner thread are innovative measures ensuring optimum installation into heating boilers of all categories.



Clean ignition process due to optimum heat level.

## Technical Data

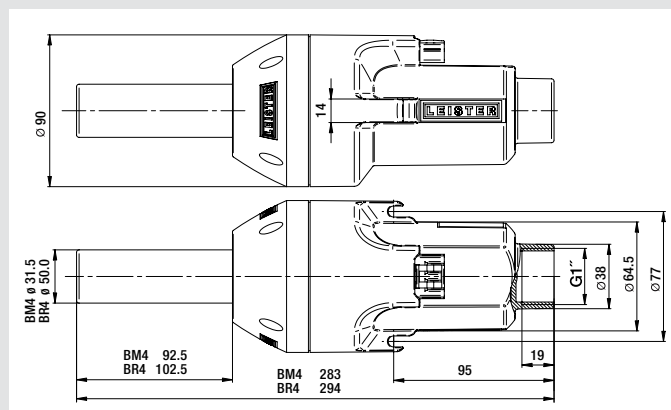
		IGNITER BM4				BM4 BR4 with M14 screw adapter			
Voltage	V	120	120	230	230	230	230	230	230
Frequency	Hz	60	60	50	50	50	50	50	50
Power rating	W	1100	1550	600	1100	1600	1100	3400	
Min. air volume (20° C)	l/min	230	230	80	230	230	230	230	
Air pressure	kPa	2.48	2.48	0.3	2.48	2.48	2.48	2.48	
Max temperature	°C	600	600	500	600	600	600	600	
Emission level	dB (A)	68	68	58	68	68	68	68	
Aperture	mm ø	90							
Length	mm	283							294
Weight (without power supply cord)	kg	1.0							1.2
Conformity									
Safety standard									
Certification		CCA							
Protection class II									
Article no.		141.882	141.881	139.232	140.711	139.231	144.012	146.296	

We reserve the right to make technical changes.  
Plug for cable connection and cable are not included.

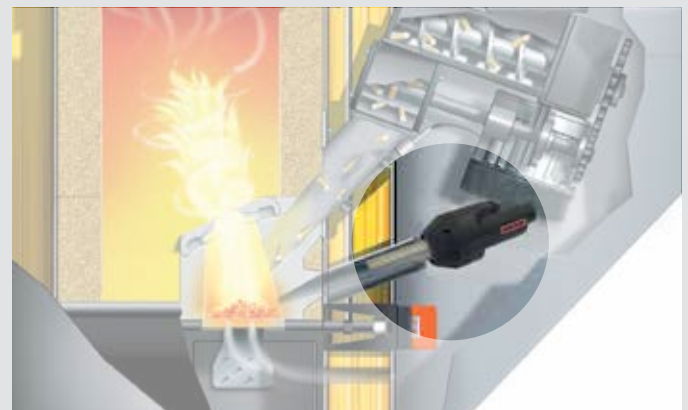
## Accessories

	<b>142.359</b>	Accessory adapter to TRIAC S Economy heating pipe
	<b>142.414</b>	Accessory screw adapter for M14 extensions
	<b>107.286</b>	Air hose ø 38 mm / ø 1.5 in
	<b>107.287</b>	Hose bracket
	<b>136.916</b>	Heating element 230V ~ 1550W
	<b>141.002</b>	Heating element 230V ~ 1050W
	<b>141.003</b>	Heating element 230V ~ 550W
	<b>136.918</b>	Heating element 120V ~ 1500W
	<b>141.005</b>	Heating element 120V ~ 1050W
	<b>145.606</b>	Heating element (BR4) 230V ~ 3300W
	<b>142.967</b>	Power supply cord (Rubber) with WAGO Plug 3 x 1 mm² x 3 m
	<b>143.131</b>	Power supply cord (Silicone) with WAGO Plug 3 x 1 mm² x 3 m
	<b>142.976</b>	Plug with strain relief, kit (WAGO 770) cable ø 4.5–8 mm
	<b>148.429 (BR4)</b>	Plug with strain relief, kit (WAGO 770) cable ø 8–11.5 mm

## Installation dimensions in mm



## Installation arrangement





**We are local. Worldwide.**

Leister Technologies AG  
Galileo-Strasse 10  
CH-6056 Kaegiswil / Switzerland  
phone: +41 41 662 74 74  
fax: +41 41 662 74 16  
leister@leister.com

Leister Technologies LLC  
Itasca, IL 60143 / USA  
phone: +1 630 760 1000  
info@leisterusa.com

Leister Technologies Ltd.  
Shanghai 201 109 / PRC  
phone: +86 21 6442 2398  
leister@leister.cn

Leister Technologis KK  
Yokohama 222-0033 / Japan  
phone: +81 45 477 36 37  
info@leister.co.jp

Leister Technologies Benelux BV  
3991 CE Houten / Nederland  
phone: +31 (0)30 2199888  
info@leister.nl

Leister Technologies India Pvt  
600 041 Chennai / India  
phone: +91 44 2454 3436  
info@lipipolymers.com

**Our dense worldwide network of more than 120 Sales and Service Centres in more than 90 countries.**

**Europe:**

- Austria
- Belarus
- Belgium
- Bulgaria
- Croatia
- Cyprus
- Czech Republic
- Estonia
- Denmark
- Finland
- France
- Germany
- Great Britain
- Greece
- Hungary
- Ireland
- Iceland
- Italy
- Kazakhstan
- Latvia
- Lithuania
- Netherlands
- Norway
- Poland
- Portugal
- Romania
- Russia
- Serbia
- Slovakia
- Slovenia
- Spain
- Sweden
- Switzerland
- Turkey
- Ukraine

**America:**

- Canada
- Mexico
- USA
- Argentina
- Brazil
- Chile
- Columbia
- Costa Rica
- Ecuador
- Venezuela
- Peru

**Africa:**

- Algeria
- Egypt
- Kenya
- Morocco
- South Africa
- Tunisia

**Middle East:**

- U.A.E.
- Saudi Arabia
- Qatar
- Iran

**Asia Pacific:**

- P.R.China
- Hong Kong
- India
- Indonesia
- Japan
- Korea
- Malaysia
- Mongolia
- Philippines
- Singapore
- Taiwan
- Thailand
- Vietnam

**Oceania:**

- Australia
- New Zealand

© Copyright by Leister, Switzerland

Distributor addresses: