

SILENCE: The quieter option.

No blower no air! In industrial processes one blower can often supply several air heaters in parallel. Our durable and maintenance-free blowers are a result of uncompromising quality standards and decades of experience. SILENCE, Leister's mid-range blower, is very quiet during operation at 61 dB(A). Developed to withstand operating conditions with air intake temperatures of 212 °F to 392 °F. Delivers optimum & effortless performance in ambient temperatures up to 167 °F.

Medium pressure blower

SILENCE



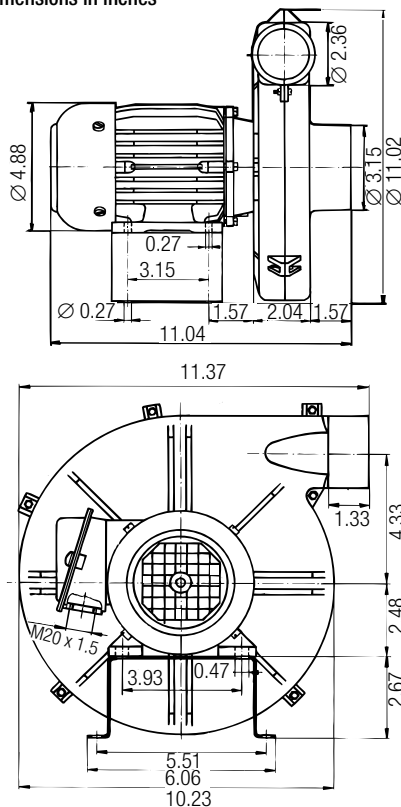
Technical data SILENCE

Design: radial blower

Frequency	Hz	50	60
Air flow (68 °F)	cfm	166	212
Static pressure	psi	0.15	0.20
Max. ambient temperature	°F	167	167
Max. air inlet temperature	°F	392	392
Noise emission level	dB(A)	61	61
Environmental protection (IEC 60529)		IP 54	IP 54
Outside diameter air inlet	in	Ø 3.15	Ø 3.15
Outside diameter air outlet	in	Ø 2.36	Ø 2.36
Weight	lbs	19.8	19.8
Conformity mark		CE	CE
Protection class I		⊕	⊕

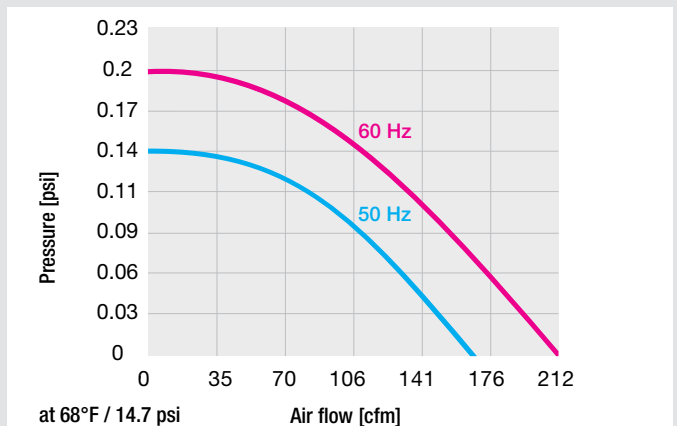
Can be controlled with FC (page 57), 20 – 80 Hz

Installation dimensions in inches



Voltage	V ~ 50 Hz	1 x 230	3 x 230 / 400
	V ~ 60 Hz		3 x 440 – 480
Power consumption	W	250	250
Without cable	Order no.		103.507
9.84 ft cable / Euro plug	Order no.	103.510	

Additional versions available on request



➔ Accessories page 58