

**LEISTER**

PLASTIC WELDING

# SEAMTEK 900 AT

**Maximum flexibility  
for your specific  
application**










[www.leister.com](http://www.leister.com)


**We know how.**

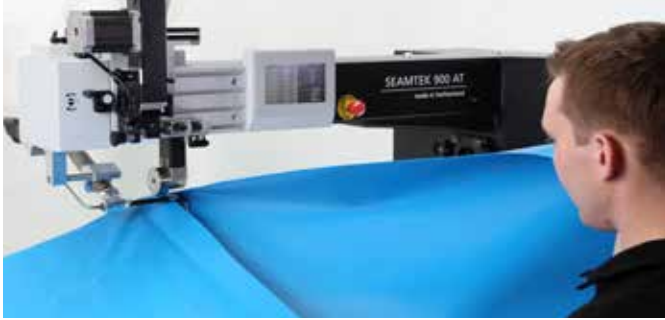
# SEAMTEK 900 AT: Maximum flexibility for your specific application

The intelligent construction of the SEAMTEK 900 AT makes practically any welding application possible. Thanks to the well-thought-out multi-arm system, the machine can be set to a specific configuration for the application in record time. The huge selection of various drive wheels, nozzles and guides guarantees maximum flexibility. The intuitive operation of the user interface takes place entirely via touchscreen and permits simple adjustment of the regulated parameters.

1		<p><b>Intuitive</b></p> <ul style="list-style-type: none"> <li>• All parameters can be modified via touchscreen</li> <li>• Complete regulation of all parameters</li> </ul>	
2		<p><b>Application-friendly</b></p> <ul style="list-style-type: none"> <li>• Tool-free nozzle adjustment</li> <li>• Rapid wheel replacement</li> </ul>	
3		<p><b>Pedestal</b></p> <ul style="list-style-type: none"> <li>• Overlap welding</li> <li>• Hem and piping welding</li> <li>• 3D / Inflatable welding</li> <li>• Tape welding</li> </ul>	
4		<p><b>Quickarm</b></p> <ul style="list-style-type: none"> <li>• Endless welding of pipes and hoses</li> <li>• Overlap welding</li> </ul>	
5		<p><b>Sidearm</b></p> <ul style="list-style-type: none"> <li>• Circumference welding</li> <li>• Tape welding</li> <li>• Sealing of end caps</li> </ul>	
6		<p><b>Tape Delivery System</b></p> <ul style="list-style-type: none"> <li>• Application of seam sealing tape</li> <li>• Welding of reinforcement tape</li> <li>• Welding of hot melt adhesive tape</li> </ul>	

Leister SEAMTEK 900 AT





Easy, economical and safe welding.



Example: Tents

## Welding machine

### SEAMTEK 900 AT

- Multi-arm system guarantees great flexibility
- Welding parameters are digitally regulated
- Intuitive user interface
- Quiet operation
- Test mode for rapid parameter determination
- Drive wheels and guides can be quickly changed
- Maintenance-free and durable

#### Application



Inflatables



Flood protection



Advertising



Seam sealing for Outdoor Equipment


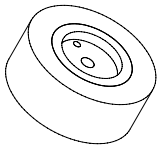
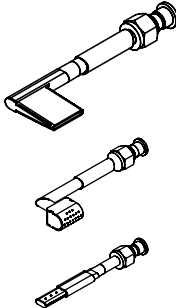
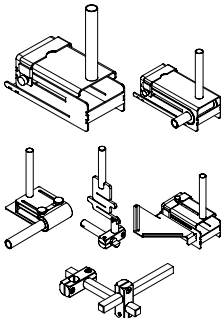
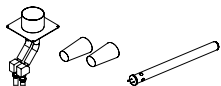
#### Technical data

Voltage	V~	230 / 240
Power	W	4500
Temperature	°F	248 – 1292
Speed	ft/min	0.3 – 98
Size (L x W x H)	inches	59 x 27.6 x 59
Weight	lbs	524 Base 590 Fully loaded
Required air pressure	psi	90
Welding seam width	inches	0.3 – 2.5 (8 – 64 mm)

#### Article No.:

155.555	SEAMTEK 900 AT Base version with pedestal, 2 steel pressure rollers 25 mm, standard nozzle 25 mm
155.777	Quick arm
155.666	Side arm
155.888	Tape Delivery System (TDS)
156.314	Transport Box

## Accessories SEAMTEK 900 AT

	Wheel, Steel, Ø 2.5 inch 155.392 8 mm 155.393 13 mm 155.863 19 mm 154.593 25 mm 155.864 38 mm 155.394 50 mm 155.865 57 mm 154.619 64 mm
	Wheel, Silicone, 50A, Ø 2.5 inch 155.401 13 mm 155.402 19 mm 155.403 25 mm 155.404 38 mm 155.405 50 mm 155.406 57 mm 155.407 64 mm
	SEAMTEK Nozzle 157.808 8 mm (Low Flow) 157.799 13 mm (Low Flow) 151.598 13 mm 151.601 19 mm 151.597 25 mm 151.608 38 mm 151.599 50 mm 151.850 55 mm 151.600 64 mm 152.941 Closing nozzle with angle 152.956 Hem nozzle 153.730 Taping Nozzle 1.0" (25 mm) 152.931 Adjustable taping nozzle 2.0" (50 mm)
	SEAMTEK Guide 155.660 Adjustable overlap guide, 0 – 2.5" (0 – 64 mm) 155.530 Adjustable hem-/ piping guide 0 – 2.0" (0 – 50 mm) 155.760 Adjustable hem-/ piping guide 0 – 2.36" (0 – 60 mm), for heavy materials 155.380 Open Hem/Pocket Guide up to 4.33" (110 mm) 155.540 Modular 3D guide 156.760 Overlap guide from the left 156.770 Adjustable acrylic tape guide 155.400 Guide holder 156.780 Overlap guide for quick arm
	155.410 Connection adapter for fume extraction 156.777 Air filter set 150.581 Heating Element 230V/3600W



**Leister Technologies AG**  
 Galileo-Strasse 10  
 CH-6056 Kaegiswil / Switzerland  
 phone: +41 41 662 74 74  
 fax: +41 41 662 74 16  
 leister@leister.com

---

**Leister Technologies LLC**  
 Itasca, IL 60143 / USA  
 phone: +1 855 534 7837  
 info@leisterusa.com

---

**Leister Technologies Ltd.**  
 Shanghai 201 109 / PRC  
 phone: +86 21 6442 2398  
 leister@leister.cn

---

**Leister Technologis KK**  
 Osaka 564-0051 / Japan  
 phone: +81 6 6310 62 00  
 sales-japan@leister.com

---

**Leister Technologies Benelux BV**  
 3991 CE Houten / Nederland  
 phone: +31 (0)30 2199888  
 info@leister.nl

---

**Leister Technologies Italia s.r.l.**  
 20090 Segrate / Italia  
 phone: +39 02 2137647  
 sales@leister.it

---

**Leister Technologies India Pvt**  
 600 041 Chennai / India  
 phone: +91 44 2454 3436  
 info@leister.in

---

**Leister Technologies Deutschland GmbH**  
 D-58093 Hagen / Germany  
 phone: +49-(0)2331-95940  
 info.de@leister.com

**We are local. Worldwide.**

**Our close worldwide network of more than 130 Sales and Service Centers in more than 100 countries.**

- |   |  |  |  |  |  |
|---|--|--|--|--|--|
| <b>Europe:</b><br>Andorra<br>Austria<br>Belgium<br>Cyprus<br>Denmark<br>Finland<br>France<br>Germany<br>Greece<br>Iceland<br>Ireland<br>Italy<br>Luxembourg<br>Malta<br>Monaco<br>Netherlands<br>Norway<br>Portugal<br>Liechtenstein<br>San Marino<br>Spain | Sweden<br>Switzerland<br>Turkey<br>United Kingdom<br>Vatican<br>Albania<br>Armenia<br>Azerbaijan<br>Belarus<br>Bosnia-Herzegovina<br>Bulgaria<br>Croatia<br>Czech Republic<br>Estonia<br>Georgia<br>Hungary<br>Kosovo<br>Latvia<br>Lithuania<br>Macedonia<br>Moldova<br>Montenegro | Poland<br>Romania<br>Russia<br>Serbia<br>Slovakia<br>Slovenia<br>Ukraine                     | Chile<br>Colombia<br>Ecuador<br>Peru<br>Venezuela  | <b>Africa:</b><br>Algeria<br>Botswana<br>Egypt<br>Ivory Coast<br>Kenya<br>Lesotho<br>Libya<br>Malawi<br>Morocco<br>Mozambique<br>Namibia<br>South Africa<br>Swaziland<br>Tunisia<br>Zambia<br>Zimbabwe | Indonesia<br>Japan<br>Korea<br>Macao<br>Malaysia<br>Myanmar<br>Mongolia<br>Pakistan<br>Philippines<br>Singapore<br>Taiwan<br>Thailand<br>Vietnam |
|   | <b>America:</b><br>Canada<br>Mexico<br>USA<br>Belize<br>Costa Rica<br>El Salvador<br>Guatemala<br>Honduras<br>Nicaragua<br>Panama<br>Argentina<br>Bolivia<br>Brazil  | <b>Central Asia:</b><br>Kazakhstan<br>Kyrgyzstan<br>Tajikistan<br>Turkmenistan<br>Uzbekistan | <b>Middle East:</b><br>Bahrain<br>Iran<br>Iraq<br>Israel<br>Jordan<br>Qatar<br>Saudi Arabia<br>U.A.E | <b>Oceania:</b><br>Australia<br>New Zealand  | <b>Asia Pacific:</b><br>China<br>Hong Kong<br>India  |

© Copyright by Leister, Switzerland

Distributor Addresses: